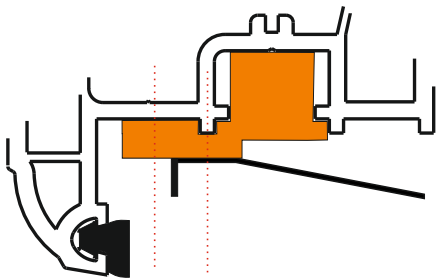
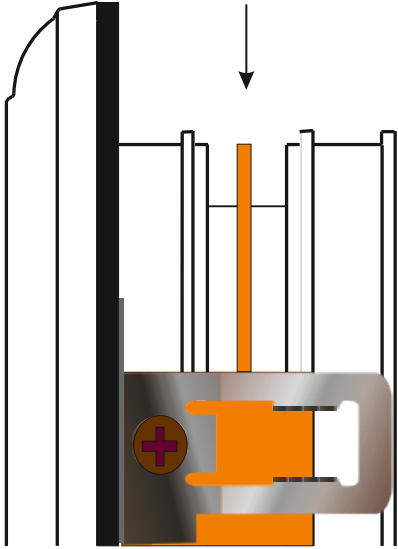
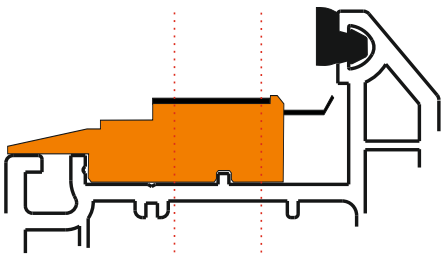


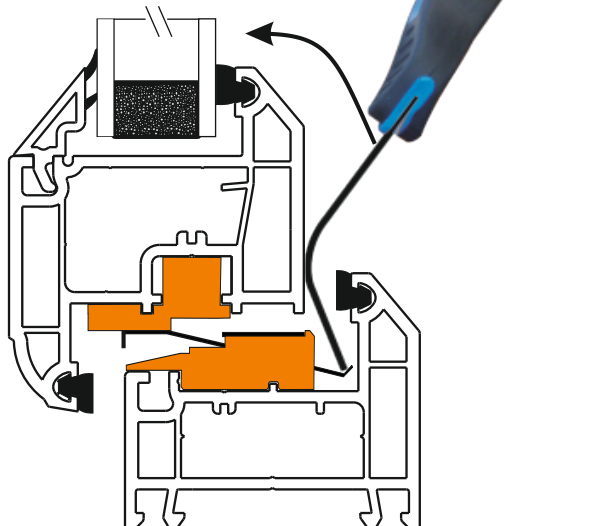
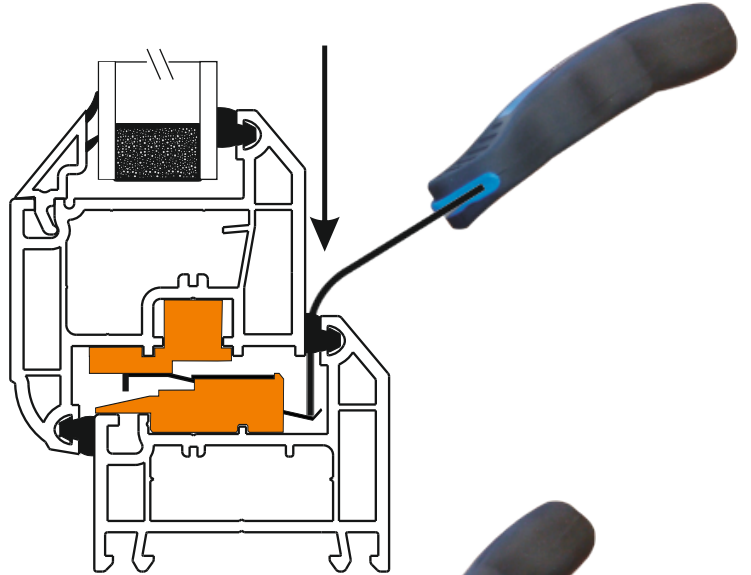
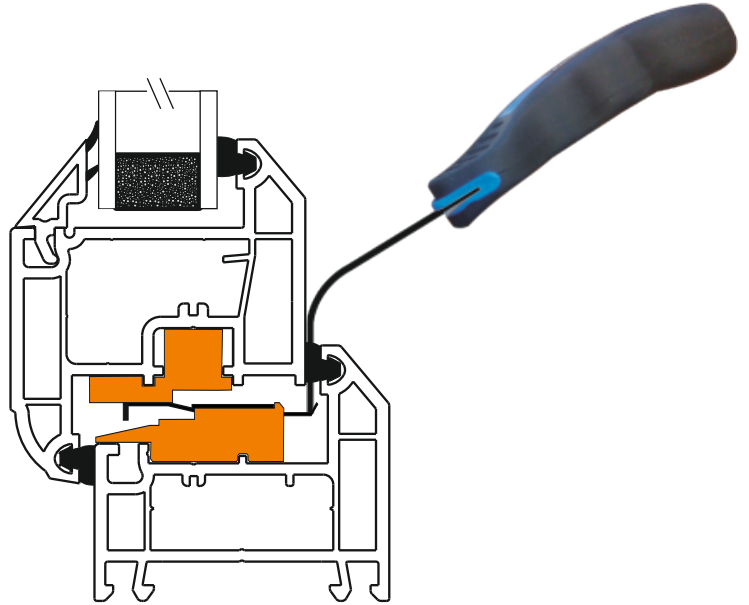
Fit Sash Packer dowl
to this edge



Screw centres



Drawings are not to scale
Reinforcing and fixing screws
have been omitted for clarity



MADE IN THE UK

Patent No. GB2445676B

